

Airtop is a small, silent and high performance desktop. The key word is **silent**. Not “with a specially designed fan that is very quiet”.

Airtop has **no fans** at all, yet it can dissipate 200W – enough to cool a Xeon CPU and a professional graphics card.

Airtop cools itself by generating airflow using no moving parts, just the waste heat from the CPU and the GPU.

See www.airtop-pc.com for more info.



- ✓ High-performance, silent, modular
- ✓ Robust-design, zero-maintenance and friendly service
- ✓ Suitable for workstation, desktop and server applications
- ✓ Low total cost of ownership
- ✓ 5 year warranty



- 5** ✓ 5 year warranty
- 4** ✓ 4x 4K displays
✓ 4 hard disks
✓ 4 antennas for Wifi/cellular
- 3** ✓ 3 types of extension cards: PCIe x16, mini PCIe and Compulab FACE Module
✓ 3 serial ports
✓ 3 submitted patent applications on Airtop and NAF technology
- 2** ✓ 2 Gbit Ethernet native ports
✓ 2 SIM cards
✓ 2 natural airflow elements – one for CPU and the other for GPU
✓ 2 power supplies – main and backup
- 1** ✓ 1 discrete graphics card
✓ 1 integrated interactive information monitor
✓ 1 casing material (all aluminum)
- 0** ✓ 0 fans
✓ 0dB noise level
✓ 0 maintenance required
✓ 0 tools needed for opening the case

About Compulab

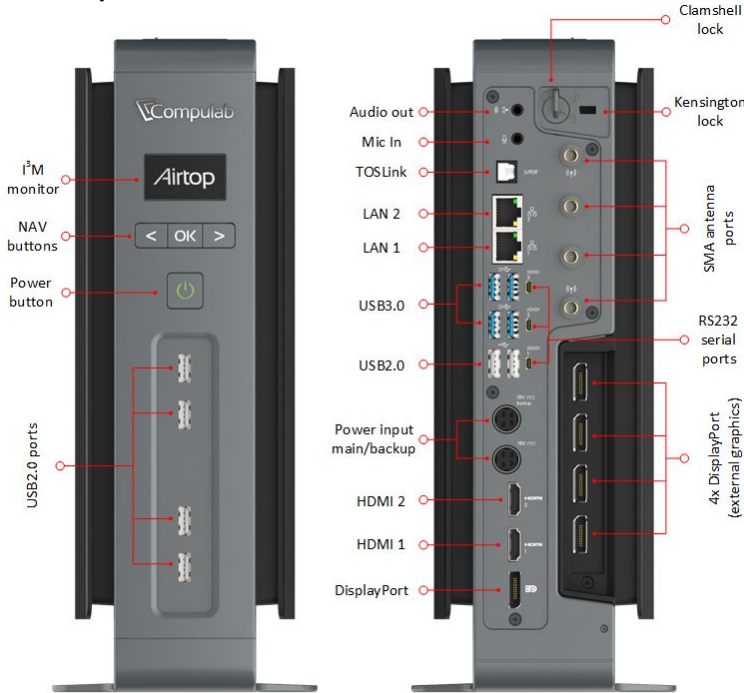
Compulab is a leading manufacturer of miniature fanless-PCs and computer-boards for embedded systems, which was established in 1992 and has been manufacturing fanless-PCs since 2007 and system-on-modules since 1997. Compulab produces over 100,000 computer boards a year. Compulab products are manufactured and tested in Compulab’s ISO9001:2008 certified facilities in Yokneam, Israel. Products are CE certified and RoHS compliant.

For more information about Compulab please visit www.compulab.co.il

For other Compulab fanless PCs please visit www.fit-pc.com



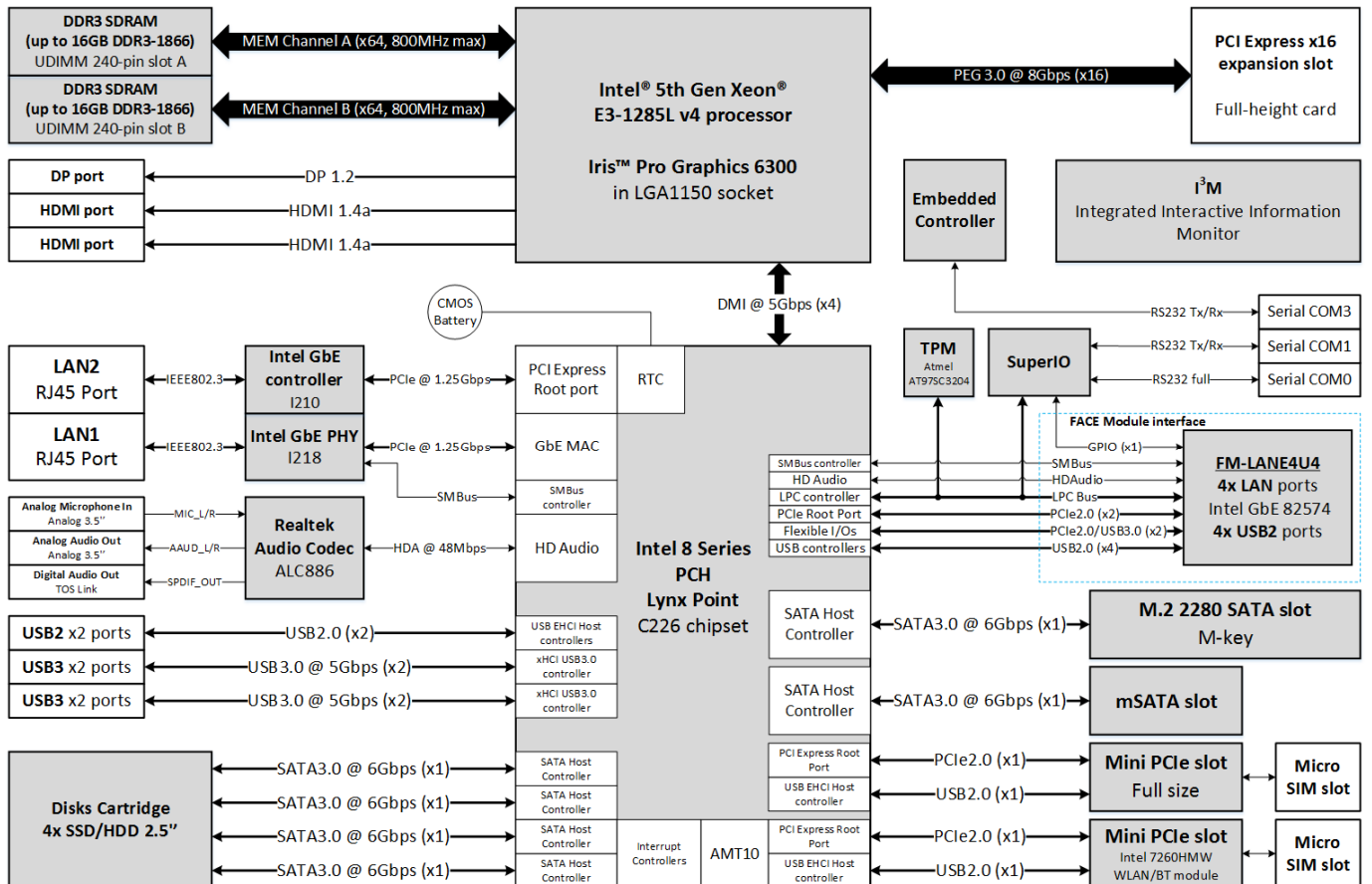
Airtop I/O



Internal view



Block diagram



Airtop specifications

Model

Name	Airtop
Current HW Rev.	1.1
LTA	2022

Processor

Type	Intel 5th Gen Core i7-5775C Intel 5th Gen Xeon E3-1285L v4	
Socket	FCLGA1150	
Cores	64-bit quad core Intel Hyper-Threading Technology	
Clock speed	3.3 GHz (up to 3.7 GHz)	3.4 GHz (up to 3.8 GHz)
TDP	65W	
Chipset	Intel C226 Chipset (Lynx Point)	

Memory

Supported	2x DIMM 240-pin DDR3 SDRAM memory slots Up to 32GB (2x 16GB) ECC/Non-ECC DDR3-1866 (refer to specific model specs)
-----------	--

Storage

Supported	All SATA3.0 ports (up to 6 Gbps) 4x 2.5" HDD/SSD in disks cartridge 1x M.2 2280 M-key slot 1x mSATA slot
RAID	Intel Rapid Storage Technology RAID 0/1/5/10 support

Integrated GPU

GPU	Intel Iris Pro Graphics 6200 Quad display mode supported
Display I/F 1	DisplayPort 1.2 up to 3840 x 2160 @ 60 Hz
Display I/F 2	HDMI 1.4a up to 4096 x 2304 @ 24 Hz
Display I/F 3	HDMI 1.4a up to 4096 x 2304 @ 24 Hz

Discrete GPU

GPU	NVIDIA GeForce GTX 950 Graphics Card NVIDIA Quadro M4000 Graphics Card
Display I/F 1	DisplayPort 1.2 up to 4096x2160 @ 60 Hz
Display I/F 2	DisplayPort 1.2 up to 4096x2160 @ 60 Hz
Display I/F 3	DisplayPort 1.2 up to 4096x2160 @ 60 Hz
Display I/F 4	HDMI 2.0 / DisplayPort 1.2 up to 4096x2160 @ 60Hz

Audio

Codec	Realtek ALC886 HD audio codec
Audio Output	Digital 5.1-ch TOSLINK output Analog 2-ch stereo output 3.5mm jack
Audio Input	Analog microphone input 3.5mm jack

Networking

LAN	2x GbE LAN ports (by option additional 4x GbE) LAN1: Intel I218 GbE PHY chipset) (RJ-45) LAN2: Intel I210 GbE controller (RJ-45)
-----	--

Wireless

WLAN	WLAN 802.11ac (2.4/5GHz Intel 7260HMW)
Bluetooth	Bluetooth 4.0
Cellular	2x micro SIM slot (6 pins)

Connectivity

USB3	4x USB 3.0 (back)
USB2	2x USB 2.0 (back) 4x USB 2.0 (front)
Serial	3x Serial communication ports COM0: Full RS232 via mini serial connector COM1: 2-wire RS232 via mini serial connector COM3: 2-wire RS232 via mini serial connector

Expansion

PCI Express	1x 16 PCIe 3.0 (up to 8 Gbps) Graphics Card Full-height
Mini PCIe 1	Intel 7260HMW WLAN/BT module
Mini PCIe 2	Full-size slot available
FACE Module	4x USB2.0

Advanced

Technologies	vPRO, AMT, AES, CPU virtualization (see CPU data)
Special functions	Auto-On, WoLAN, WoT, PXE Boot, Watchdog I ³ M – Integrated Interactive Information Monitor

BIOS

Vendor	Phoenix
Features	BIOS Legacy mode, UEFI mode, Secure Boot

OS

Supported	Windows 7/8/10 Windows Server 2012 R2 Linux Mint
-----------	--

Op. Conditions

Input Voltage	15 – 20VDC input (dual power input for redundancy)
Power Consumption	10W – 200W
Operating Temperature	Standard: 0°C to 45°C Extended: -20°C to 70°C Industrial: -40°C to 70°C
Relative Humidity	5% to 95% (non-condensing)
MTTF	> 100,000 hours

Enclosure

Material	All Aluminum
Cooling	Passive Zero-Fans Natural Airflow (NAF) cooling
Dimensions	10 cm (W) x 30 cm (H) x 25.5 cm (D) 4" (W) x 12" (H) x 10" (D)
Weight	5 kg – 5.8 kg