

2-Jul-20

Application note

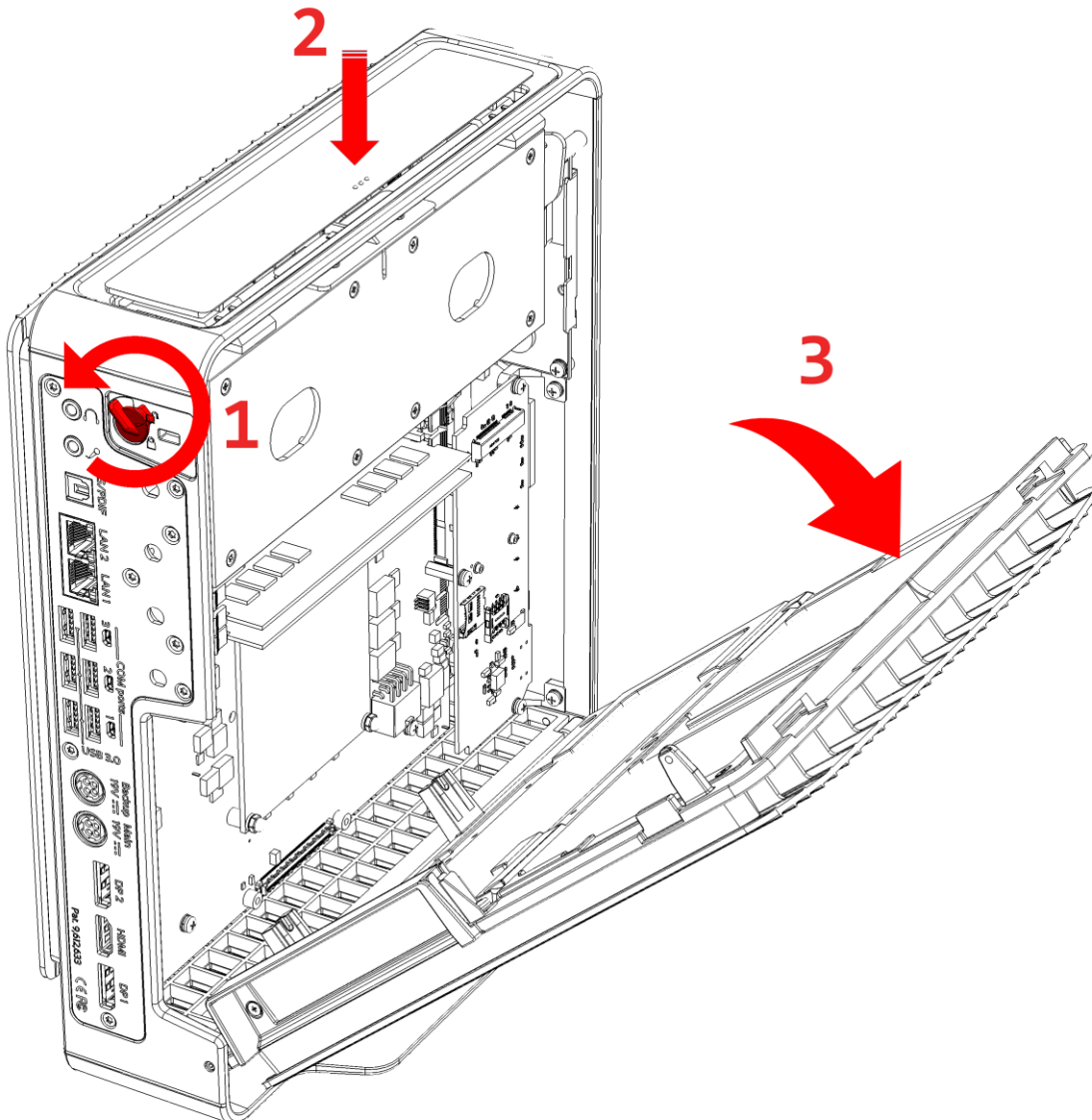
Airtop3 - instructions for graphics card installation

Step-By-Step instruction

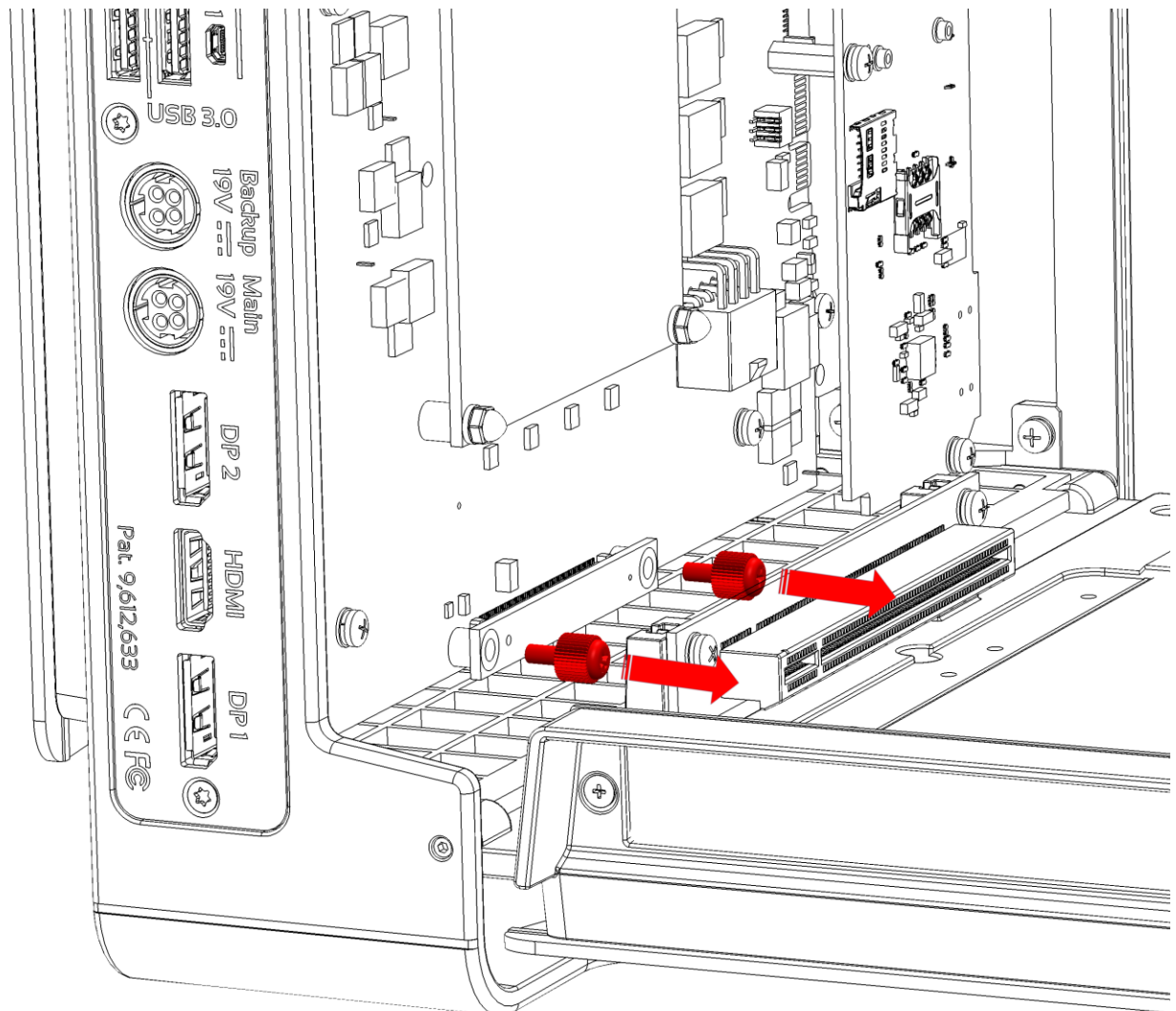
1. Open Airtop3

To access Airtop3 internal devices follow the steps below:

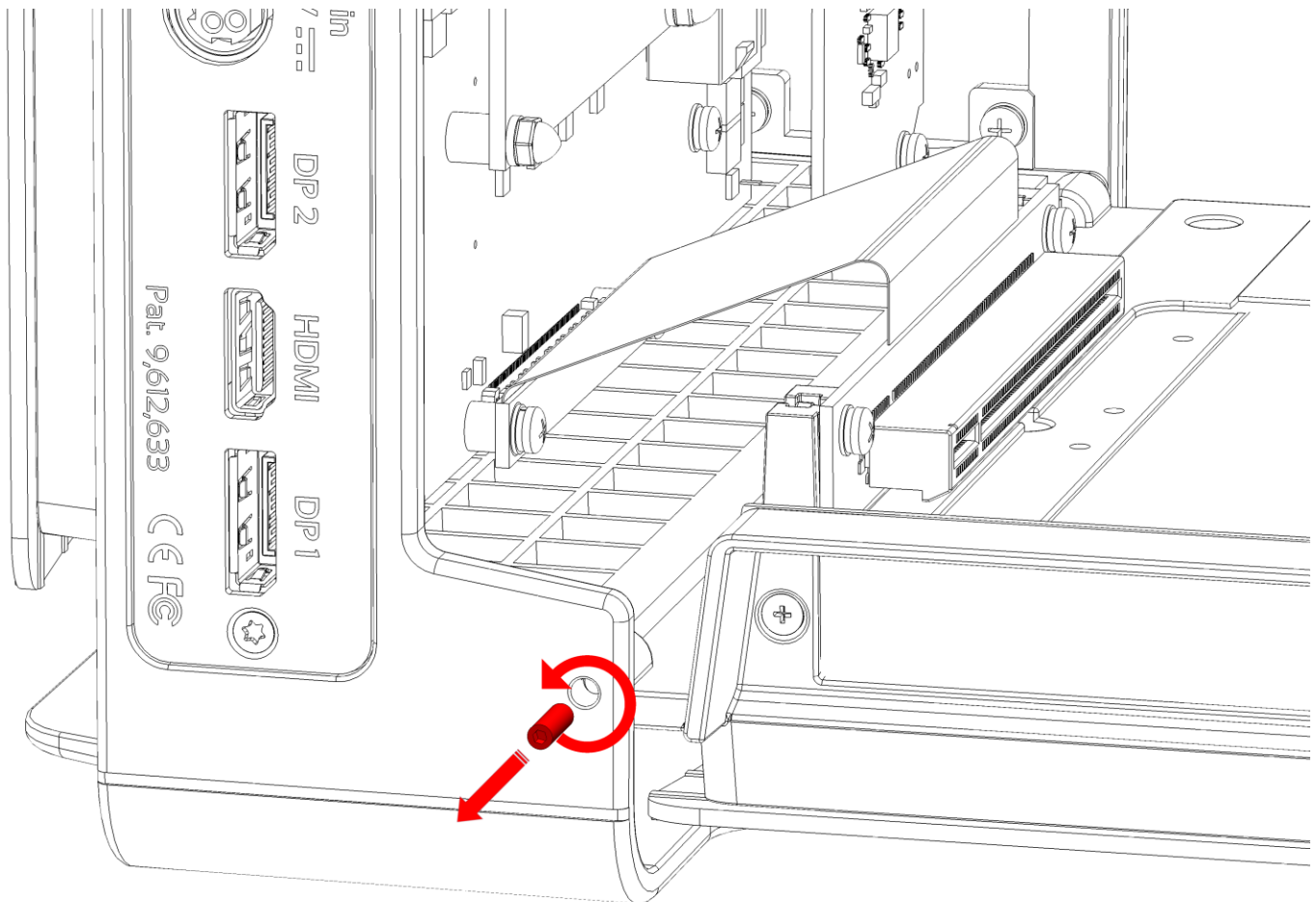
1. Shut down the computer and disconnect PSU
2. Move locking knob on the rear panel to open position
3. Press the top-bar
4. Open the clamshell door



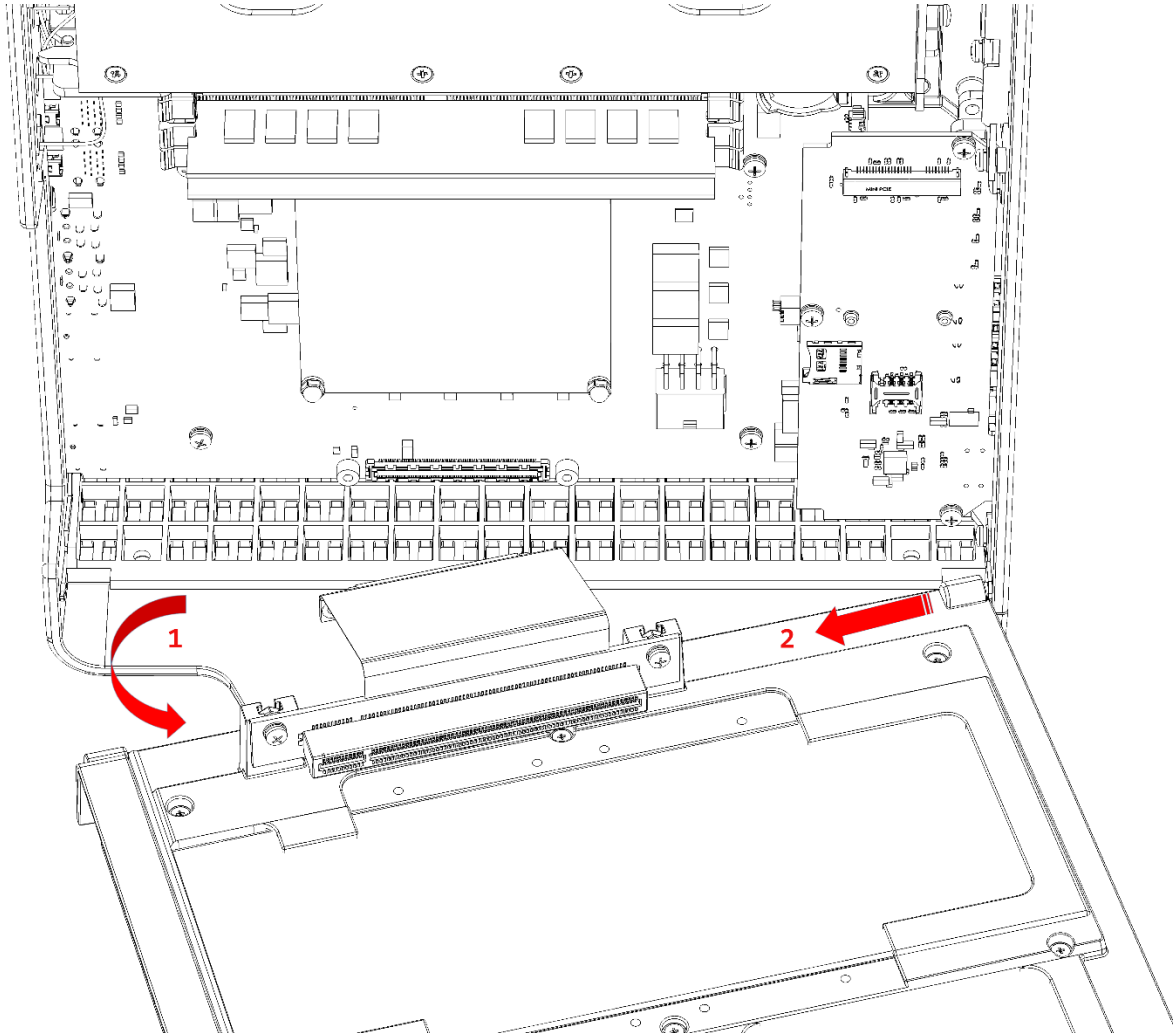
2. Remove the Phillips screws that are holding the PCIe MSH Cable (flat bright brown wide flexible cable that is connecting between the PCIe socket on clamshell door and main board) and gently disconnect the cable from the board.



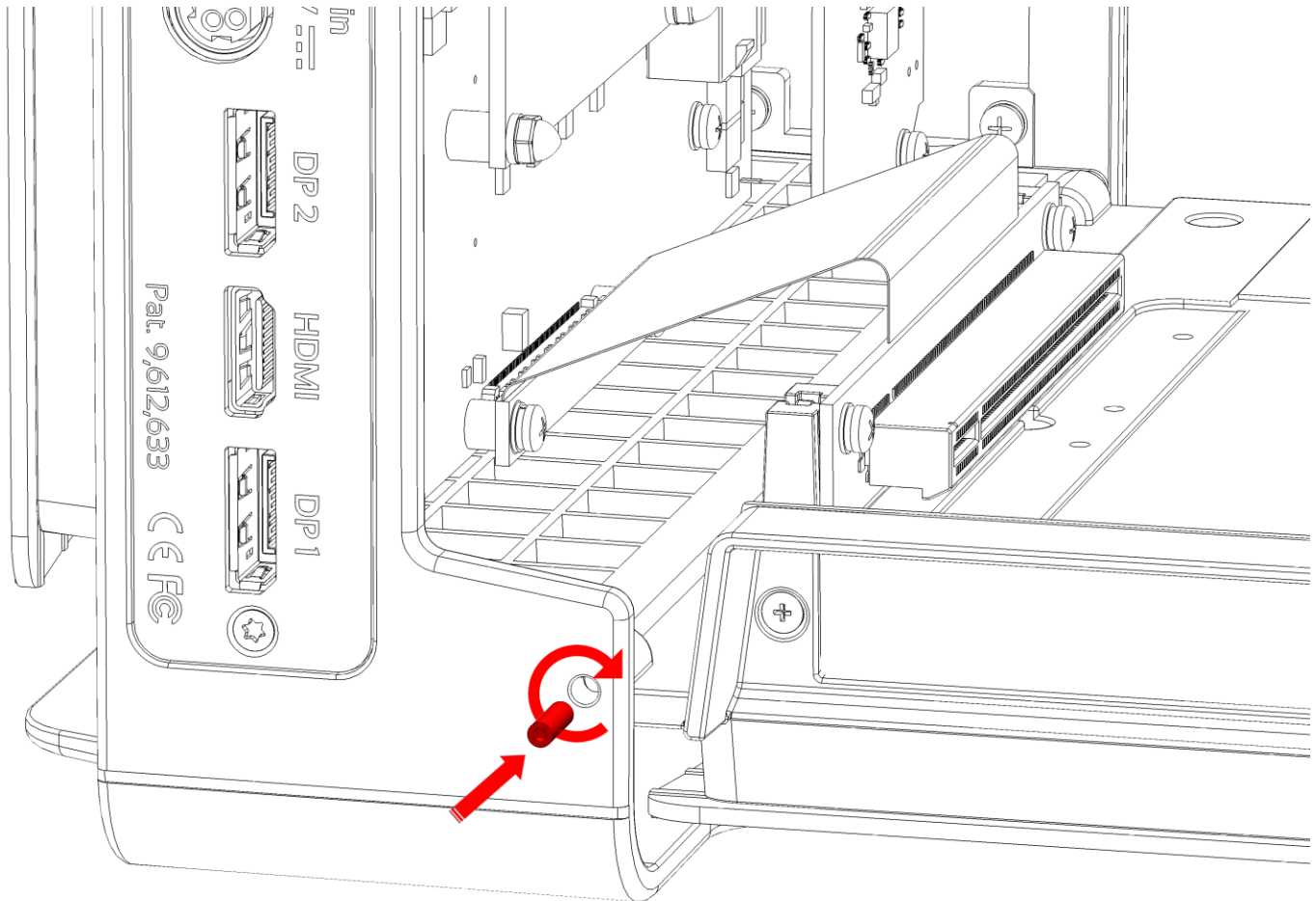
3. Remove the HEX screw (by using Allen driver (metric) 1.5mm): holding the left side of the clamshell door:



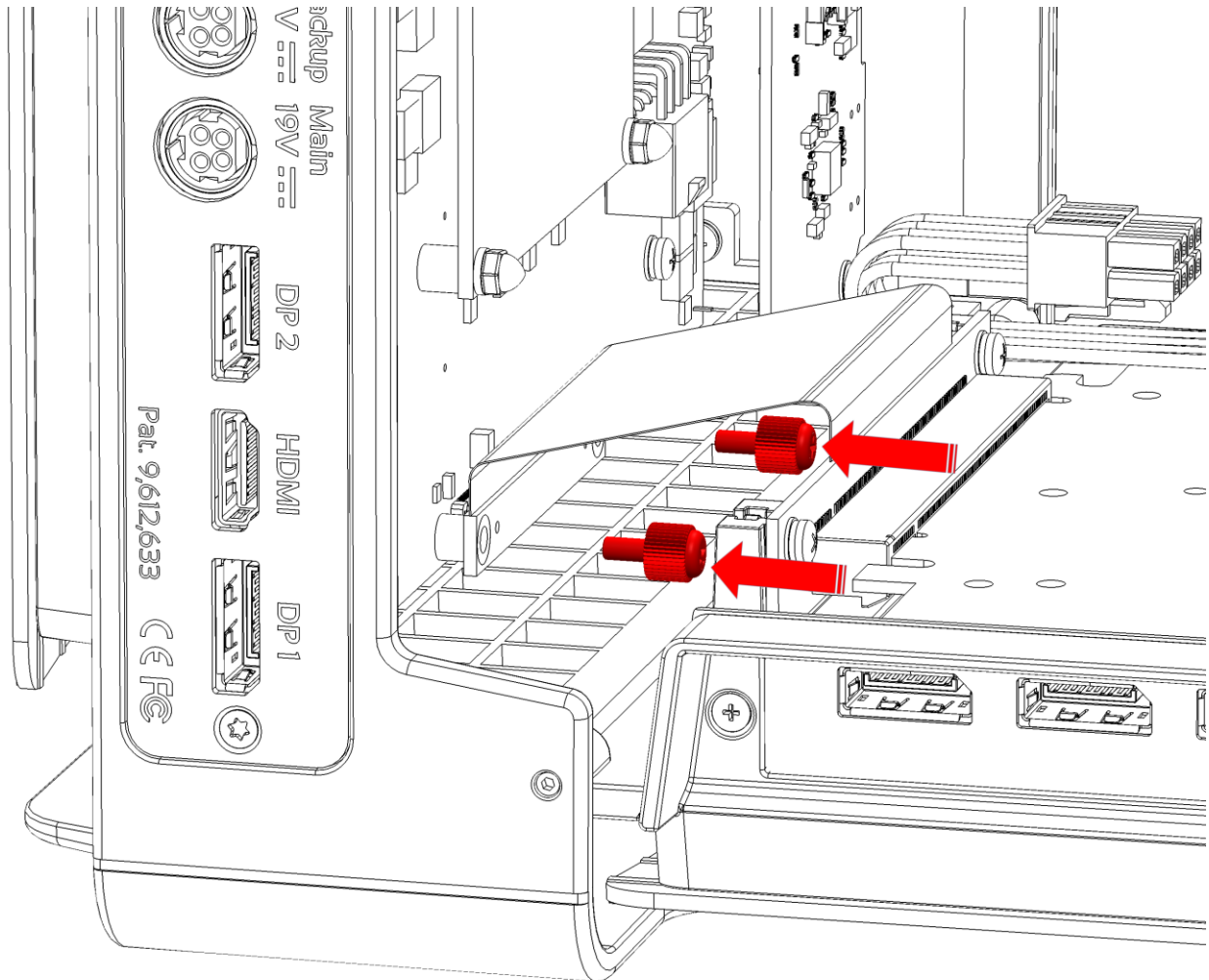
4. Remove the clamshell door by turning out from the rear side and removing it from the right hinge as shown below:



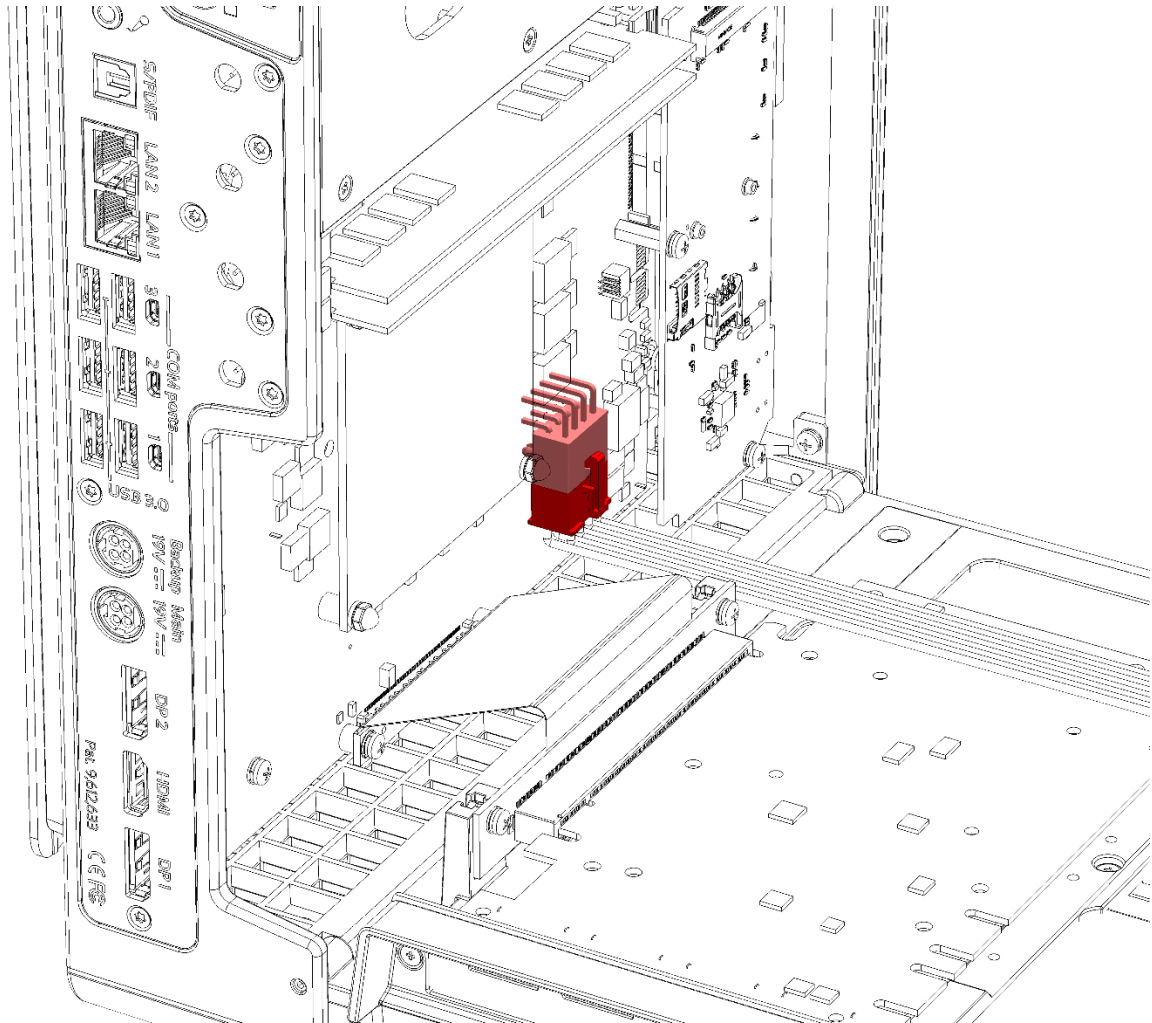
5. Assemble the received clamshell door (with the graphic card) in a reverse order - put it on the right hinge, then pull it forward until the holes on the left down side are aligned. Tighten the HEX screw (by using Allen driver (metric) 1.5mm):



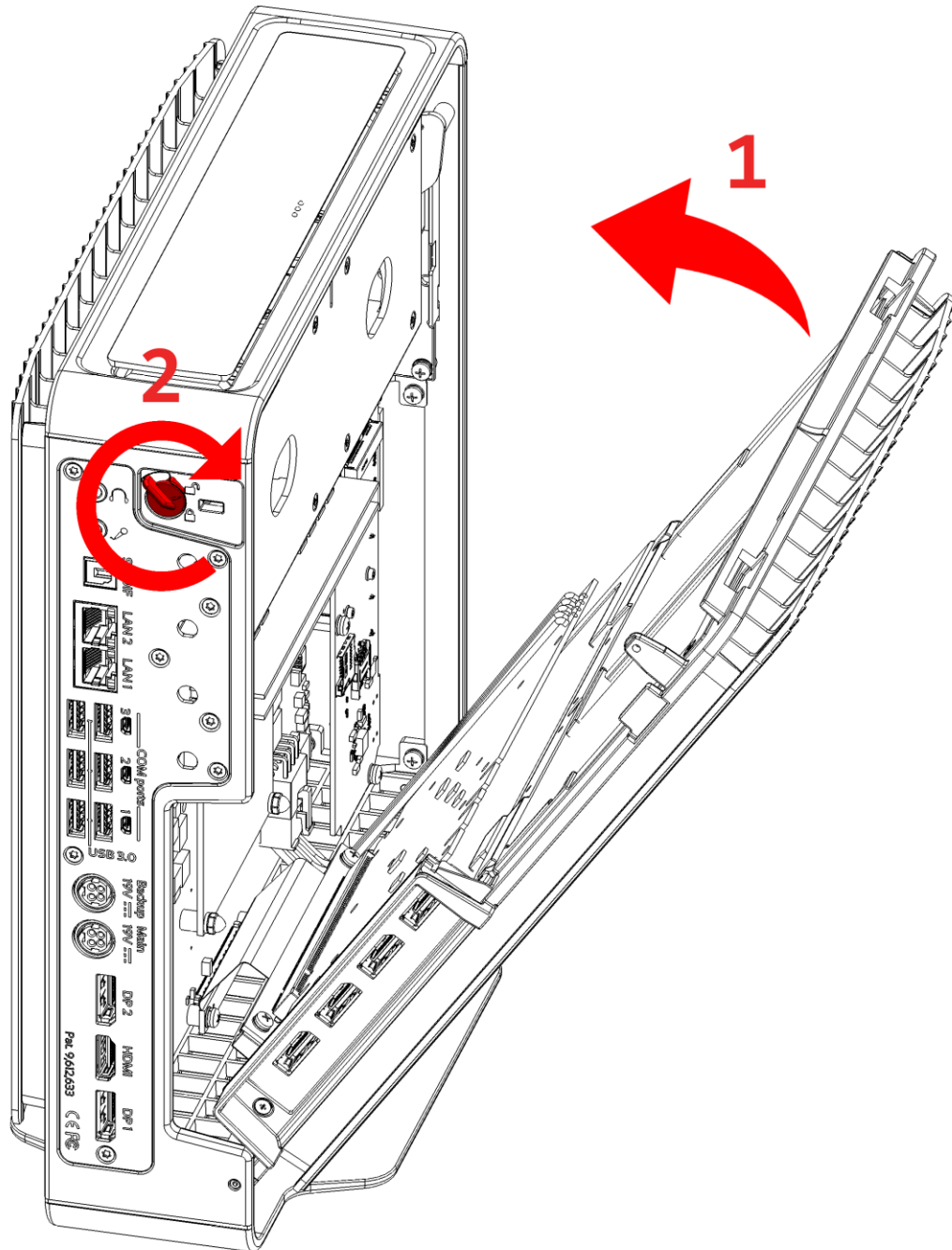
6. Connect the PCI MSH to the mating connector on the board and tighten the Phillips screws holding it:



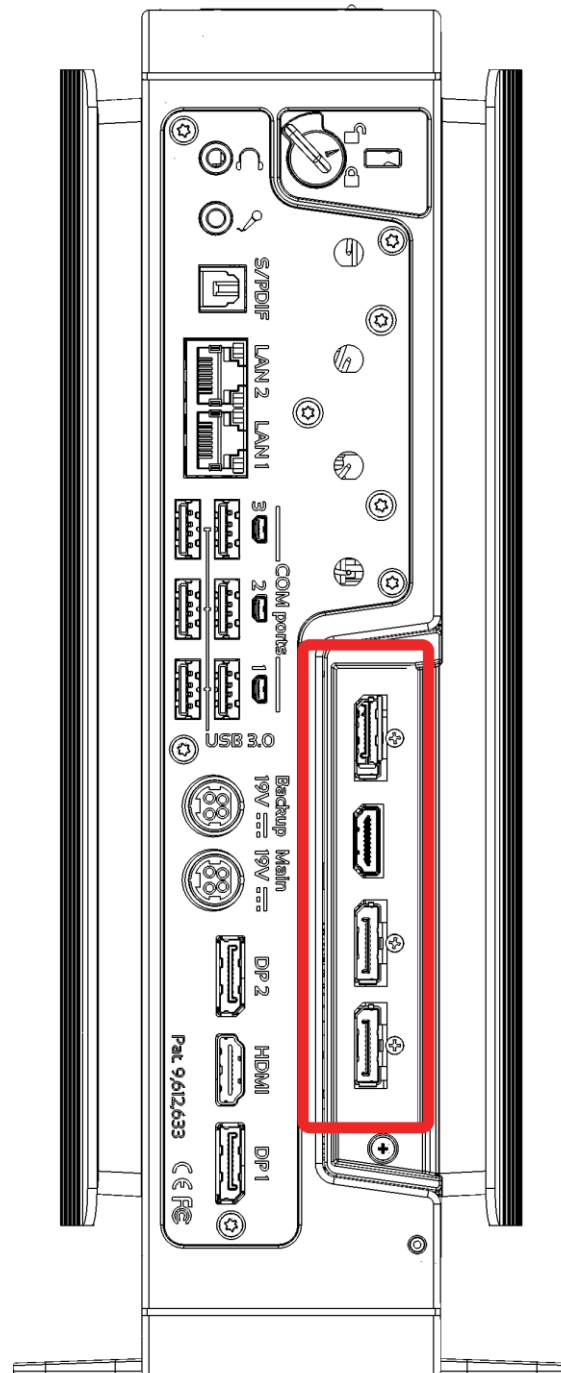
7. Connect the power cable of the graphics card to an on-board socket as shown below



8. Close the clamshell door and move the locking knob to the locking position



9. After finishing the procedure above, connect the PSU to Airtop3 device and connect HDMI or DP cable to one of the discrete Graphics Card inputs (see picture below). Turn on the display and the Airtop3 device. Now the device should start and you should see an output on your screen.





Airtop3 page

<https://fit-iot.com/web/products/airtop3/>

Further information

<http://www.fit-pc.com/wiki/index.php?title=Airtop3>

Technical support:

Email: support@fit-pc.com

Phone: +972-4 829 0134